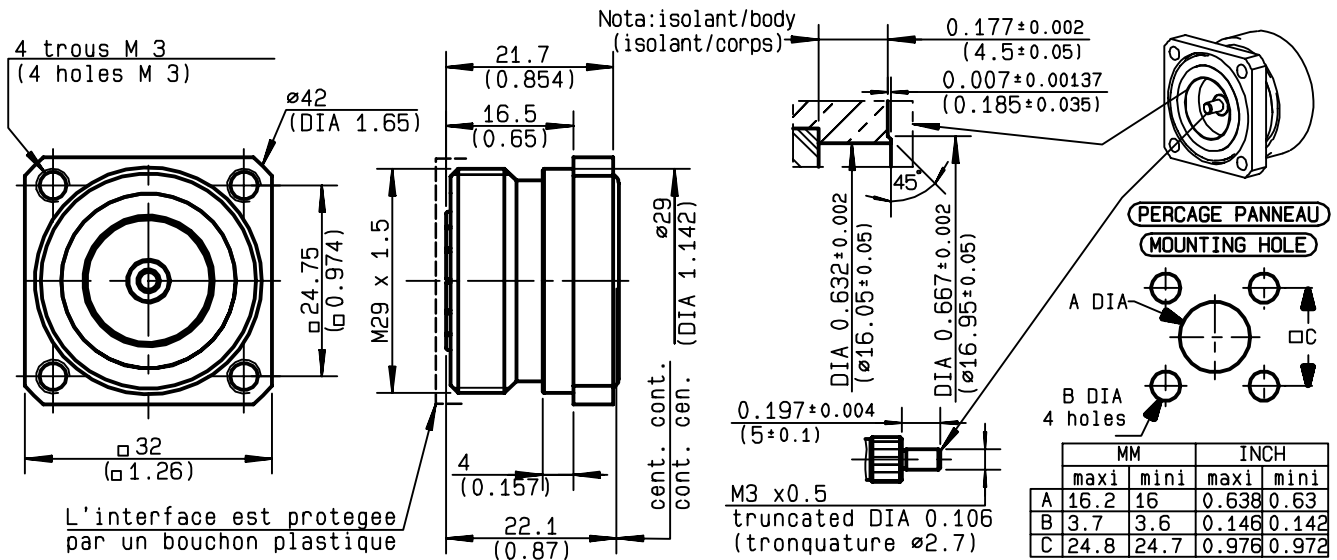


**SQUARE FLANGE JACK RECEPTACLE
PANEL SEAL -WITH THREAD CONTACT**

R185.405.230
SERIES 7-16



NOMINAL IMPEDANCE	50 Ω
FREQUENCY RANGE	0-7.5 GHz
TEMPERATURE RATING	-55/+155 °C
V.S.W.R	1.15 + x F(GHz)Maxi
RF INSERTION LOSS	0.03 √F(GHz) dB Maxi
VOLTAGE RATING	1400 Veff Maxi
DIELECTRIC WITHSTANDING VOLTAGE	4000 Veff Mini
INSULATION RESISTANCE	10000 MΩMini
HERMETIC SEAL	NA Atm.cm ³ /s
LEAKAGE (pressurized only)	NA
MECHANICAL DURABILITY	500 Cycles
WEIGHT	76.9 gr
SPECIFICATION	

CABLES :

OTHERS CHARACTERISTICS

CABLE RETENTION	NA	N Mini
CENTER CONTACT RETENTION		
Axial force - mating end	200	N Mini
Axial force - opposite end	NA	N Mini
Torque	NA	cm.N Mini
RECOMMENDED TORQUES		
Mating	NA	cm.N
Panel nut	NA	cm.N
Clamp nut	NA	cm.N

CONNECTOR PARTS	MATERIALS	FINISH	(all values are given in micrometers)
BODY	BRASS	SILVER .	
OUTER CONTACT	BRASS	SILVER .	
CENTER CONTACT	BERYLLIUM COPPER	SILVER .	
INSULATOR	PTFE	-	
GASKET	SILICONE RUBBER	-	
OTHERS PIECES			

ISSUE	CREATION DATE	FILE PART-NUMBER
9944C00	16/05/1994	EPC94-10



GAUTIER

The information given here is subject to change without notice.
Design changes may be in order to improve the product .

Connect to the future